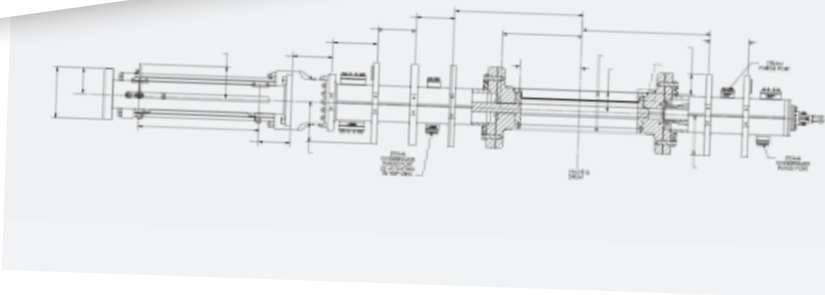
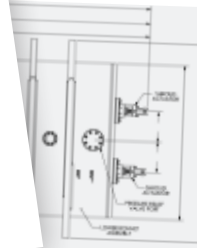
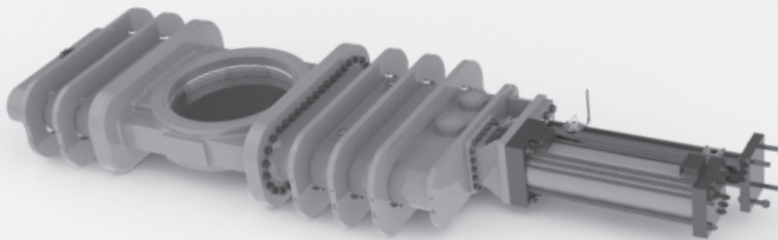


Representación exclusiva en España



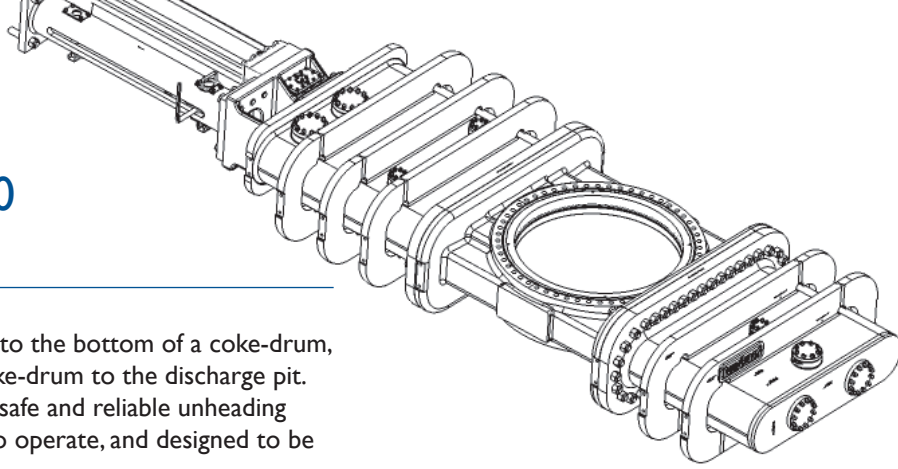
SOLJET ENERGIA s.a.

Paseo de la Castellana 154, 1 Izq. 28046 Madrid
Tel: 91 458 7732 – www.soljet.com



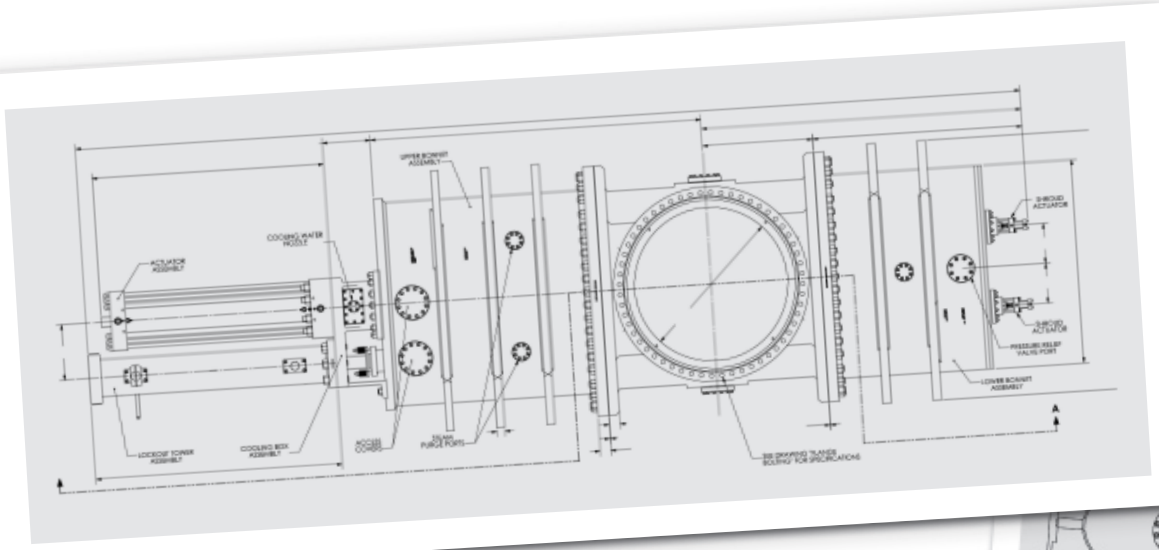
DeltaGuard® GV815, GV820

Technical Specifications



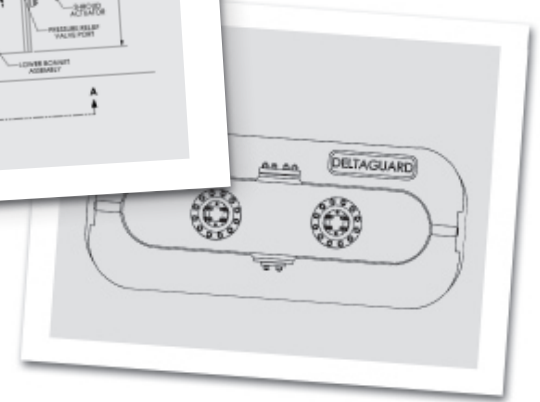
The DeltaGuard unheading device permanently connects to the bottom of a coke-drum, creating a totally enclosed system from the top of the coke-drum to the discharge pit. With the push of a single button from a remote location, safe and reliable unheading can be achieved. The DeltaGuard is inherently safe, easy to operate, and designed to be maintenance free from turnaround to turnaround.

Design	Per ASME section VIII Div. 1.2	Positive Lockout	Removable lock-out pin
Construction	Main body: cast Bonnets: fabricated	Transition Spool	Engineered to plant specifications
Metallurgy	Main body: ASME SA217 Gr5 Bonnets: ASME SA387 Gr22	Discharge Chute	Engineered to plant specifications
Dimensions	L 357" x W 98" x H 40" Face to face: 20.0625"	Purge Media	Steam
Weight	75,000 lbs. +/-	Function	GV815: Drainable GV820: Throttling
Actuation	Single ram hydraulic Auxiliary hydraulic override	Drum Flange	60" (1524mm) Standard
Interlocks/ Controls/HPU	Engineered to plant specifications	Shut-off	Double block and purge with 100% verifiable positive isolation
		Maximum Design Pressure	154 PSIG (10.8 kgf/cm ²) @ 940°F (505°C)



Patents:
 United States 6,565,714 7,459,063
 6,660,131 7,399,384
 6,964,727 7,033,460
 6,843,889 6,989,081
 Canada 2,497,562
 Mexico 255082
 Germany 102 96 367 3
 India 209822 205246
 Russia 2300549

Other US and international patents pending



DeltaValve (USA)
 857 West, South Jordan Parkway,
 South Jordan, Utah 84095
 Ph. 801.984.1000 Fax 801.984.1001

DeltaValve Corporation (Canada)
 7712 - 56th Street S.E.
 Calgary, Alberta T2C 4S9
 Ph. 403.543.2244 Fax 403.543.2240



1.888.DELTAVALVE www.deltavalve.com info@deltavalve.com