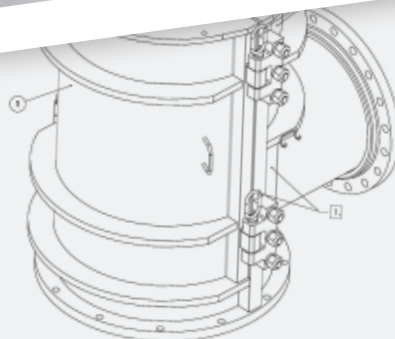
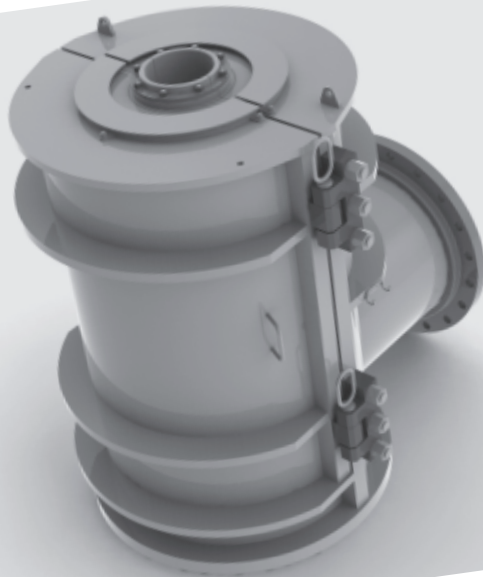


Representación exclusiva en España



SOLJET ENERGIA s.a.

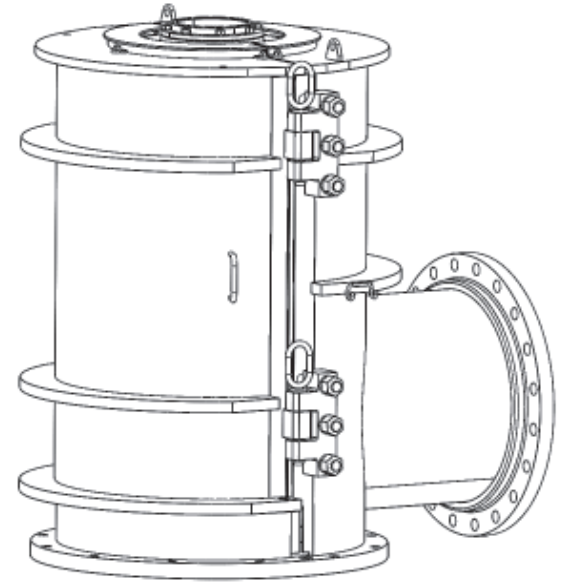
Paseo de la Castellana 154, 1 Izq. 28046 Madrid
Tel: 91 458 7732 – www.soljet.com



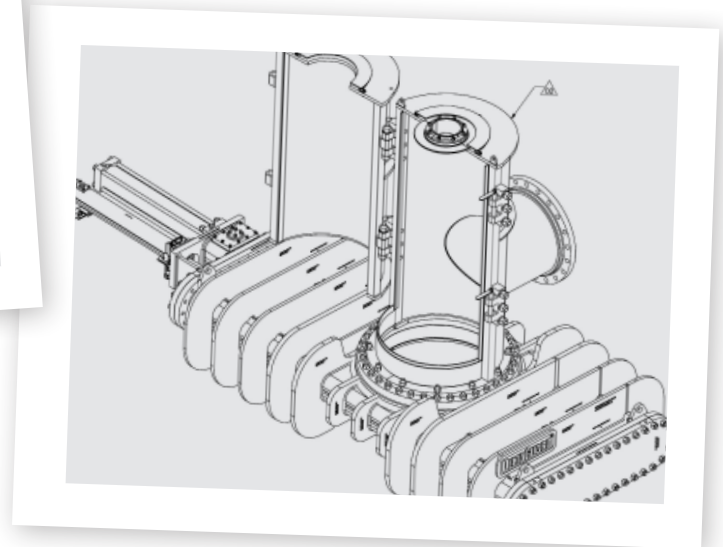
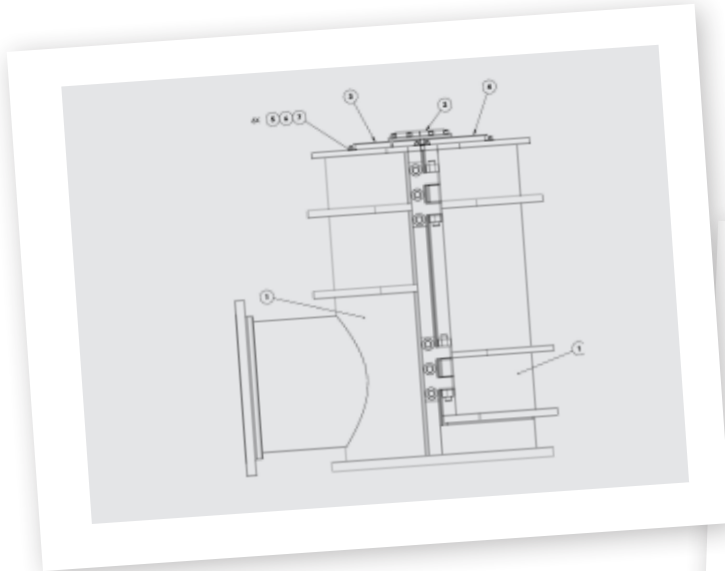
Drill Stem Guide

Technical Specifications

The DeltaValve® Drill Stem Guide is designed to guide and stabilize the drill stem during coke cutting and boring modes. It also serves as a blowout diverter, protecting personnel and equipment in the event of a coke-drum blowout or eruption. The Drill Stem Guide mounts directly to the DeltaGuard® Top Unheading Device, and in conjunction with the DeltaValve Auto-Switch Coke Cutting Tool (which is housed within the Drill Stem Guide at all times when not in the drum), creates an inherently safe coke cutting operation.



Design & Construction: Engineered to plant specifications



DeltaValve (USA)
857 West, South Jordan Parkway,
South Jordan, Utah 84095
Ph. 801.984.1000 Fax 801.984.1001

DeltaValve Corporation (Canada)
7712 - 56th Street S.E.
Calgary, Alberta T2C 4S9
Ph. 403.543.2244 Fax 403.543.2240

1.888.DELTAVALVE www.deltavalve.com info@deltavalve.com

**CURTISS
WRIGHT**
Flow Control Company
DeltaValve