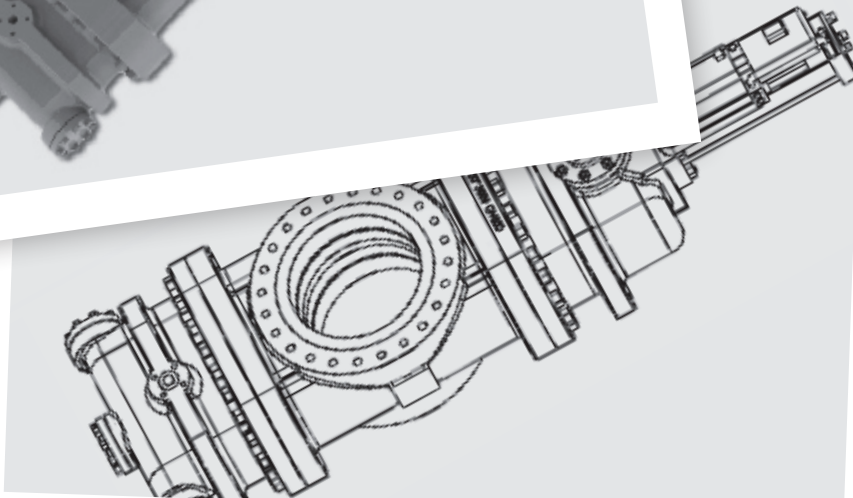
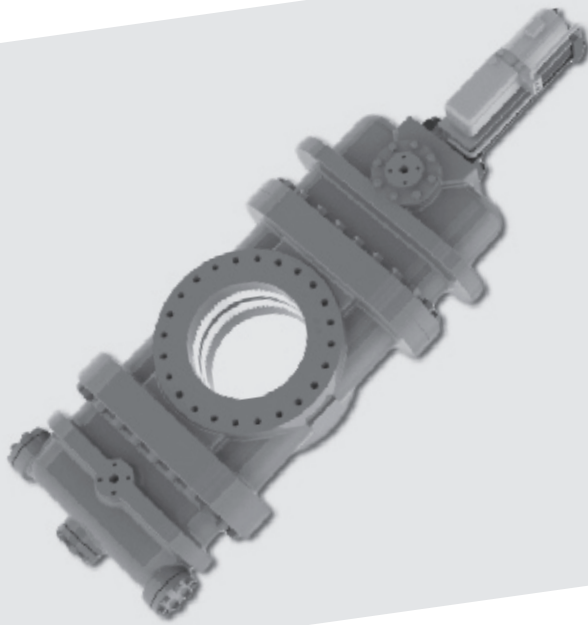


Representación exclusiva en España



SOLJET ENERGIA s.a.

Paseo de la Castellana 154, 1 Izq. 28046 Madrid
Tel: 91 458 7732 – www.soljet.com

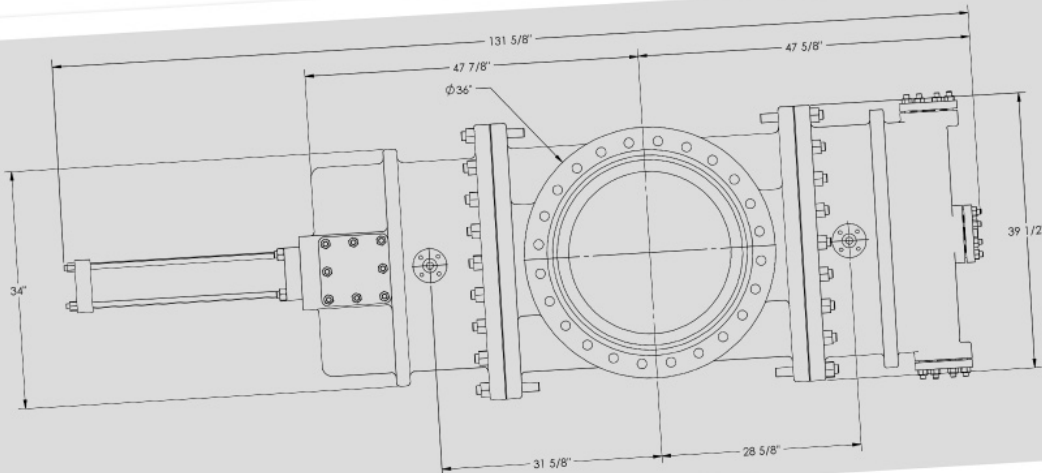
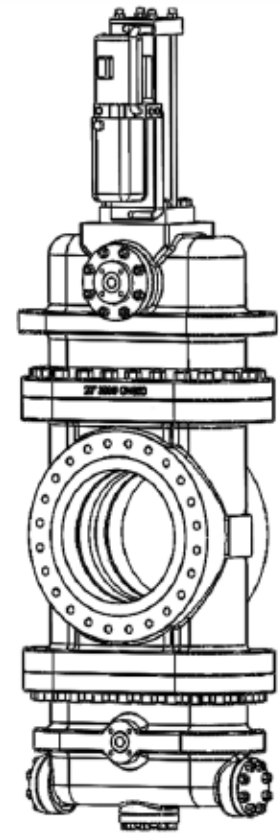


DeltaGuard® GV850 Isolation Valve

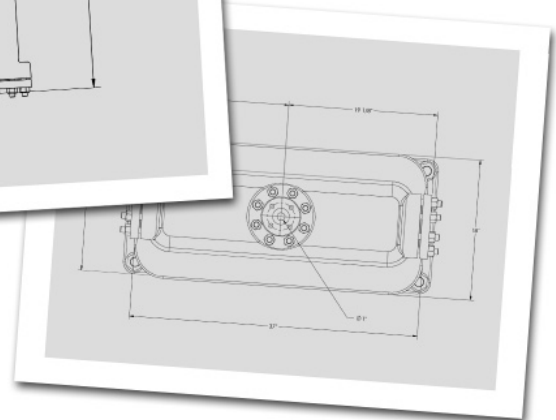
Technical Specifications

The DeltaGuard GV850 Isolation Valve is a reliable, low maintenance, tight shut-off isolation valve designed for high temperature, harsh applications. The GV850 design provides for quick and efficient in-line removal of all internal components. The steam purged valve is capable of operating continuously in the partially open (throttling) position, while isolating body internals from the process.

Design:	ANSI B16.34	End Connection:	ANSI B16.10 300# RF, RTJ
Construction:	Cast	Purge Media:	Steam
Metallurgy:	ASME SA217 C12	Function:	On/off, throttling
Seat Style:	Dual live-loaded, metal	Positive Lockout:	Yes
Actuation:	Electric, electro-hydraulic, hydraulic	Valve Sizes:	8" - 36"
Shut off	Double block and purge with 100% verifiable positive isolation	Media:	Coke vapors, fines, resid



US and international patents pending



DeltaValve (USA)
 857 West, South Jordan Parkway,
 South Jordan, Utah 84095
 Ph. 801.984.1000 Fax 801.984.1001

DeltaValve Corporation (Canada)
 7712 - 56th Street S.E.
 Calgary, Alberta T2C 4S9
 Ph. 403.543.2244 Fax 403.543.2240

1.888.DELTAVALVE www.deltavalve.com info@deltavalve.com

**CURTIS
 WRIGHT**
 Flow Control Company
 DeltaValve