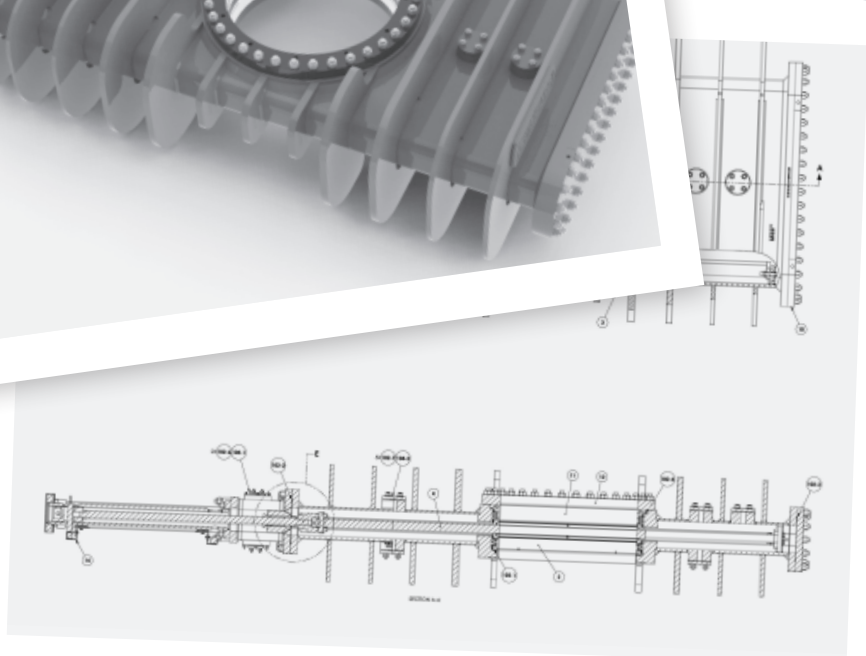
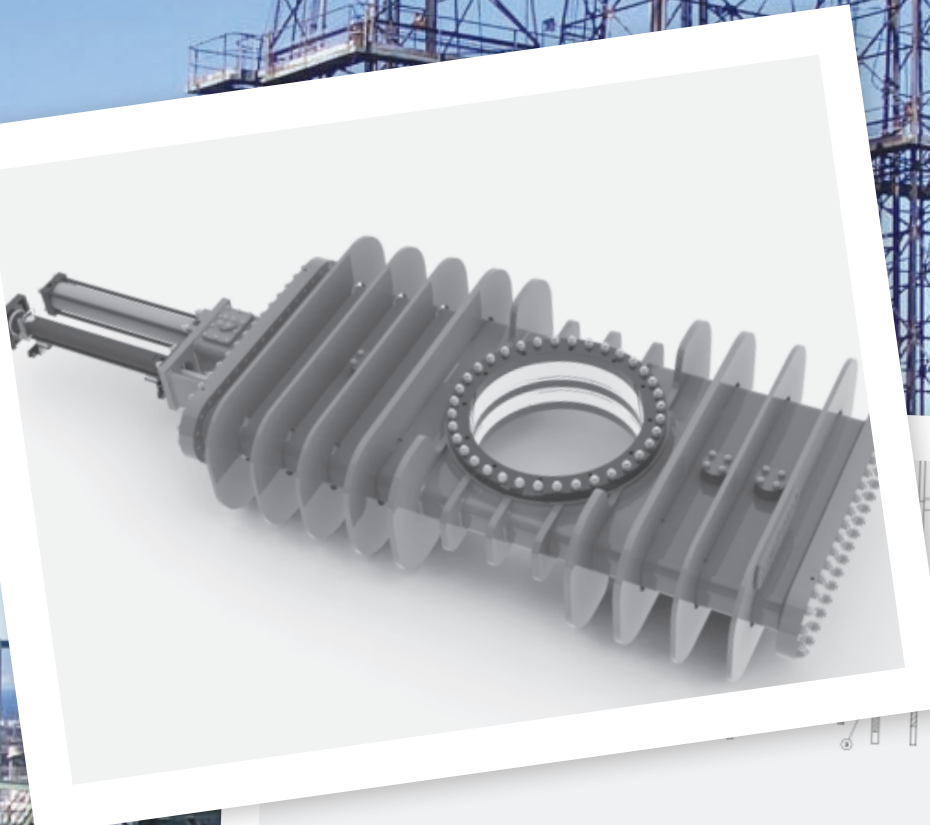


Representación exclusiva en España



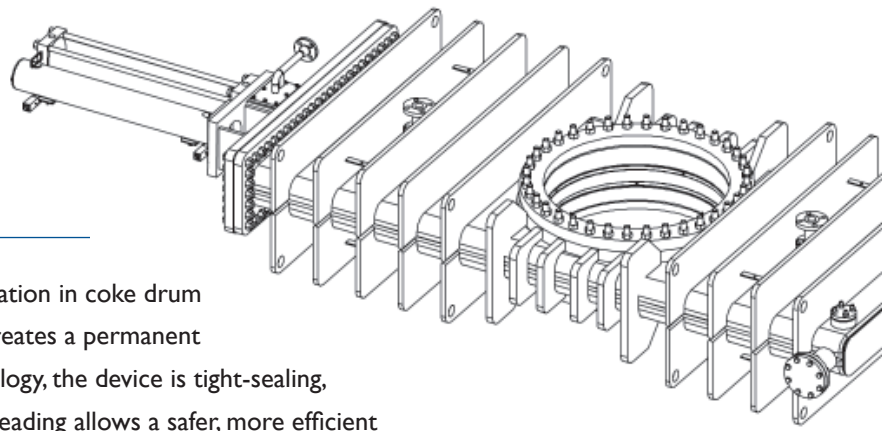
SOLJET ENERGIA s.a.

Paseo de la Castellana 154, 1 Izq. 28046 Madrid
Tel: 91 458 7732 – www.soljet.com



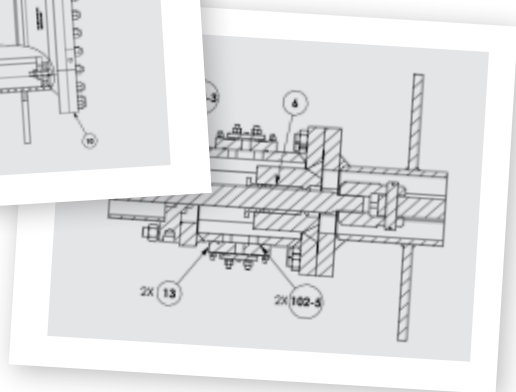
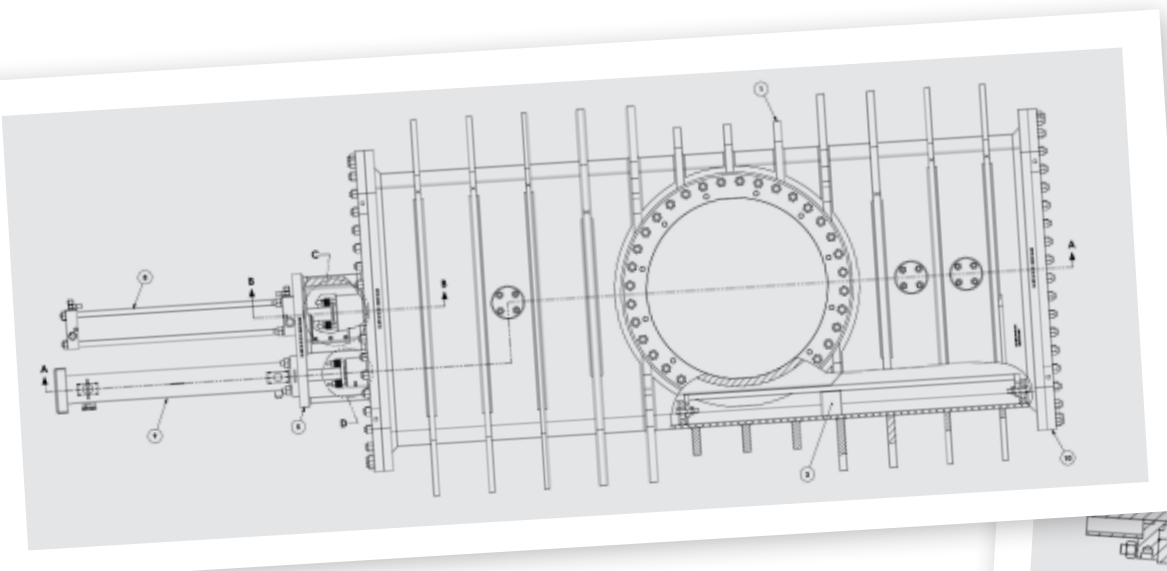
DeltaGuard® GV830

Technical Specifications



The DeltaGuard GV830 unheading device is the latest innovation in coke drum top unheading. Mounted directly to the drum, the GV830 creates a permanent top head connection. Utilizing patented dynamic seat technology, the device is tight-sealing, robust, and highly reliable. Use of this device for remote unheading allows a safer, more efficient method of coke drum top unheading.

Design	Per ASME section VIII Div. I.2	Positive Lockout	Removable lock-out pin
Construction	Fabricated	Mounting	Direct bolt to drum top flange
Metallurgy	ASME SA387 Gr5 (Gr22 optional)	Purge Media	Steam
36" Dimensions	L 193"x W 64"x H 28" stiffener to stiffener L 193"x W 64"x H 13.875" face to face	Function	Open/Close
30" Dimensions	L 158"x W 53"x H 22" stiffener to stiffener L 158"x W 53"x H 10.625" face to face	Valve Size	30" & 36"
36" Weight	12,000 lbs. +/-	Temperature Rating	Seats/Gate (process): 900°F (482°C) Body (steam): 450°F (232°C) <i>M.A.W.P temperature/pressure curves available</i>
30" Weight	6,500 lbs. +/-	Pressure Rating	Seats/Gate: 125 psi Body: 145 psi
Actuation	Hydraulic or electric	Media	Coke process fluid/coke
Interlocks/ Controls/HPU	Engineered to plant specifications		



US patents
7,459,063 7,399,384
6,989,081 6,843,889

Other US and international patents pending

DeltaValve (USA)
857 West, South Jordan Parkway,
South Jordan, Utah 84095
Ph. 801.984.1000 Fax 801.984.1001

DeltaValve Corporation (Canada)
7712 - 56th Street S.E.
Calgary, Alberta T2C 4S9
Ph. 403.543.2244 Fax 403.543.2240

**CURTISS
WRIGHT**
Flow Control Company
DeltaValve

1.888.DELTAVALVE www.deltavalve.com info@deltavalve.com

Printed in USA 02/09