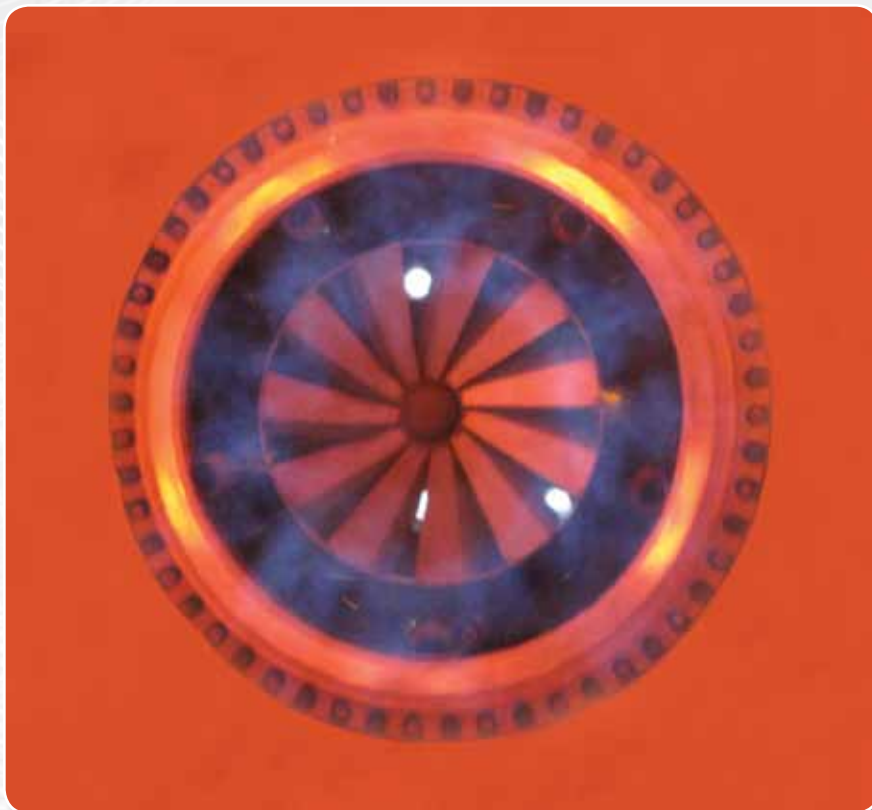




FREE-JET BOILER BURNER

COMBUSTION AND ENVIRONMENTAL SOLUTIONS.
PURE AND SIMPLE.®

GLSF Series



Free-Jet Boiler Burner

ZEECO is a solutions-oriented company that combines proven, innovative technology with our extensive experience in the design, fabrication and operation of combustion equipment. Reliability is essential for profitable plant operations, so at Zeeco, we use only the highest quality components in order to maximize service life and eliminate unnecessary downtime.

DESCRIPTION

The ZEECO® Free-Jet boiler burner uses our GLSF Free-Jet burner technology—an incredibly advanced next generation ultra-low emissions boiler burner.

TECHNOLOGY

The Zeeco GLSF Free-Jet boiler burner is the next generation of boiler burner technology. This low-maintenance, highly reliable technology is cutting edge and inherently safe, giving Zeeco's Free-Jet boiler burner market advantage by design. Zeeco's Free-Jet technology entrains the flue gas from inside the boiler using the fuel gas' jet energy, thereby diluting the fuel gas with inert gases to efficiently reduce thermal NOx.



BURNERS



FLARES



INCINERATORS



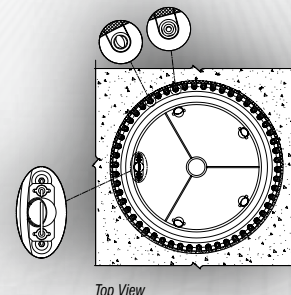
PARTS & SERVICE

COMBUSTION AND ENVIRONMENTAL SOLUTIONS.
PURE AND SIMPLE.®

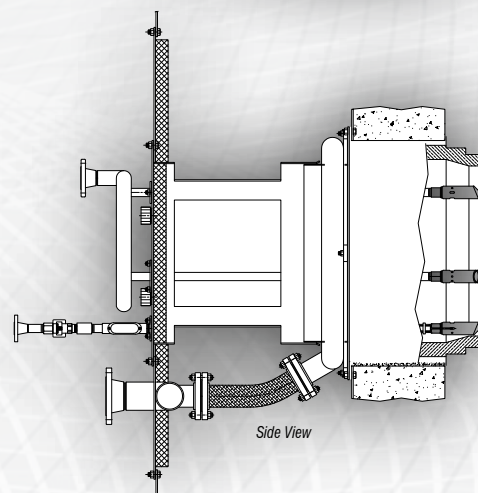
Free-Jet Boiler Burner

DESIGN FEATURES

- Stable flame over a wide range of conditions
- Ultra-low NO_x capability by design
- High turndown of 10:1 with 30 psig fuel burner pressure
- Utilizes internal flue gas entrainment
- Performs well under low excess O₂ (2.0-3.0% dry) situations for high efficiency
- Low maintenance costs & high reliability
- No moving parts—axial airflow
- Robust, compact design makes this burner a great choice for retrofit applications
- Fires high H₂ fuels to sweet natural gas
- Inherently safe, with separation of air and fuel
- Applicable to multi-burner boiler applications
- Simple controls
- Oil-firing capability



Top View



Side View

Trust Zeeco with Your Boiler Burner Needs

Zeeco has provided combustion and environmental solutions around the world for more than 30 years. Let us put our experience to work for you. Call us today for more information on Zeeco's full line of boiler burner products and service as well as turnkey retrofit solutions.

CERTIFICATIONS APPLY TO ZEECO HEADQUARTERS ONLY.



CERTIFIED
NBBI



CERTIFIED
ASME



CERTIFIED
ASME



REGISTERED
ISO 9001: 2008

Zeeco Corporate Headquarters
 22151 East 91st Street
 Broken Arrow, Oklahoma 74014 USA
 Phone: +1.918.258.8551
 Fax: +1.918.251.5519
 E-mail: sales@zeeco.com

zeeco.com

ZEECO® is a registered trademark of Zeeco, Inc. in the U.S.
© COPYRIGHT 2010 - ZEECO, INC. ALL RIGHTS RESERVED



Representación exclusiva en España:

Soljet Energía S.A.

Paseo de la Castellana 154, Madrid 28046
www.soljet.com - Teléfono: 91 458 7732